

»SECRET MTL/MTLG« LED LIGHTING RAIL

3

LIGHTING SYSTEMS

4

WORKPLACE LIGHTING

8

SPOT FITTING LIGHTING



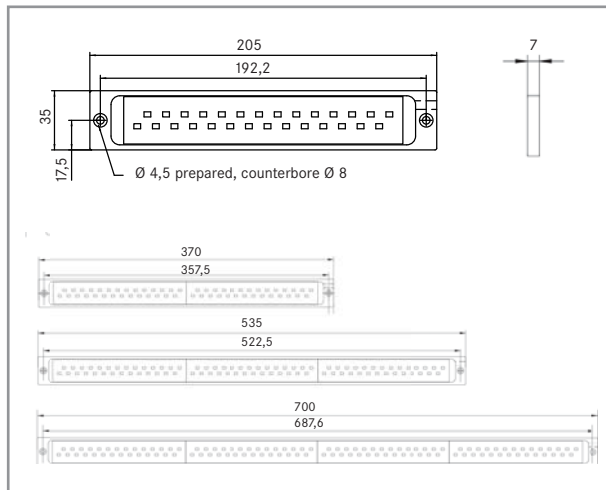
HEMA »SECRET MTL« and »SECRET MTLG« LED lighting rail

18

MACHINE LIGHTING

22

INTEGRATED LIGHTING



The HEMA LED model range »SECRET MTL« is an innovative 24 VDC LED lighting for demanding and imperceptibly applications.

The LED lighting rails are compact and extremely flat and will put your machine or industrial site into proper light. Due to the compact dimensions of the »SECRET MTL« the lighting rail can be integrated almost invisible into the machine. The »SECRET MTL« is also perfect suitable for retrofit of machines.

Thanks to the excellent light efficiency at a wide angle the »SECRET MTL« provides both, a complete integrable machine and industrial light.

The also available »SECRET MTLG« type is additionally equipped with a cover plate of tempered glass.

Advantage »SECRET MTL« LED Lighting rail

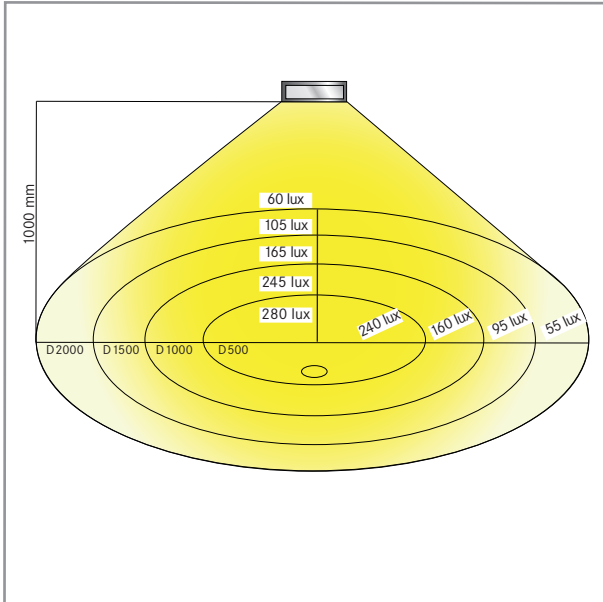
- Power supply 24V
- Connection via M12 plug
- Extremely slimline housing
- shock and vibration proof sealed in PUR backfill
- Anodized aluminium housing
- IP Rating IP69K

Type	SECRET MTL.6	SECRET MTL.12	SECRET MTL.18	SECRET MTL.24	SECRET MTL.36	SECRET MTL.48
Dimensions extern LxBxH	205x35x7mm	370x35x7mm	535x35x7mm	700x35x7mm	1030x35x7mm	1360x35x7mm
Power Supply	24V	24V	24V	24V	24V	24V
Operating voltage	5W	10W	15W	20W	30W	40W
Current	210mA	420mA	630mA	840mA	1260mA	1680mA
Number LED rails	1	2	3	4	6	8
Material	Alu anod./ PUR backfill	Alu anod./ PUR backfill	Alu anod./ PUR backfill	Alu anod./ PUR backfill	Alu anod./ PUR backfill	Alu anod./ PUR backfill
Lens	ca. 120°	ca. 120°	ca. 120°	ca. 120°	ca. 120°	ca. 120°
Light temperature	5700K	5700K	5700K	5700K	5700K	5700K
IP Rating	IP69K	IP69K	IP69K	IP69K	IP69K	IP69K
Connection	M12	M12	M12	M12	M12	M12
Connection cable length	PUR 3000mm	PUR 3000mm	PUR 3000mm	PUR 3000mm	PUR 3000mm	PUR 3000mm

Please see also our information on **HEMA Window** machine protection windows with integrated »SECRET MTL« LED Lighting rail - two systems that match.

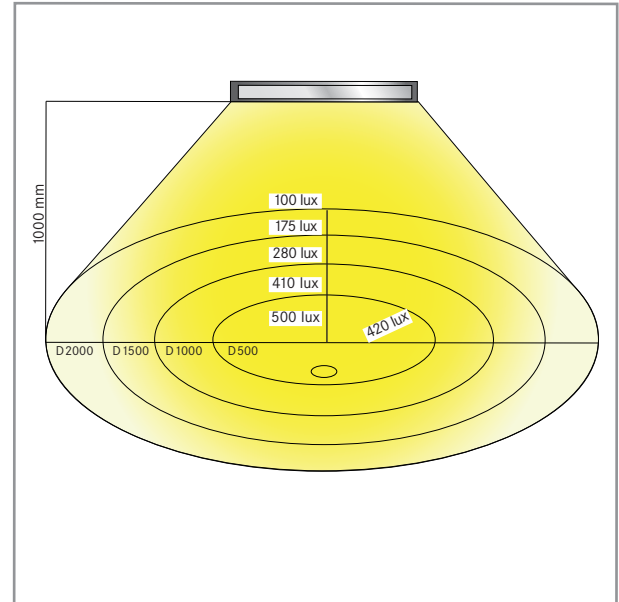
ILLUMINATION DISTRIBUTION CHARTS

HE-SECRET MTL.6



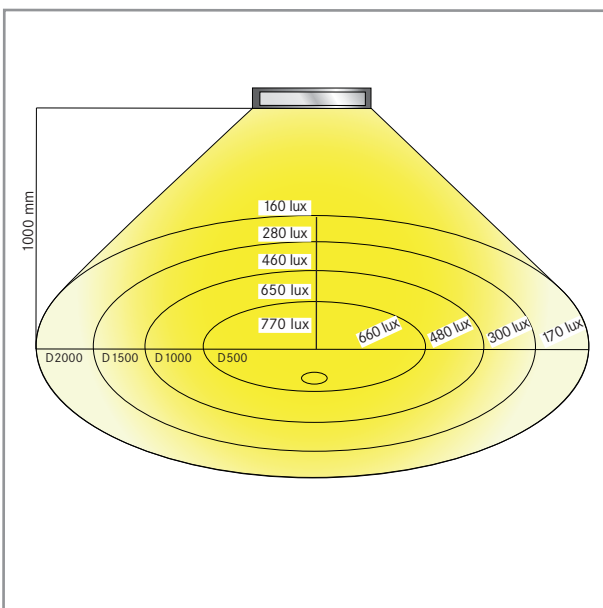
Technical details	Page 18
Lens	ca.120°
Current	24V/210mA
Lighting systems	HE-SECRET MTL.6

HE-SECRET MTL.12



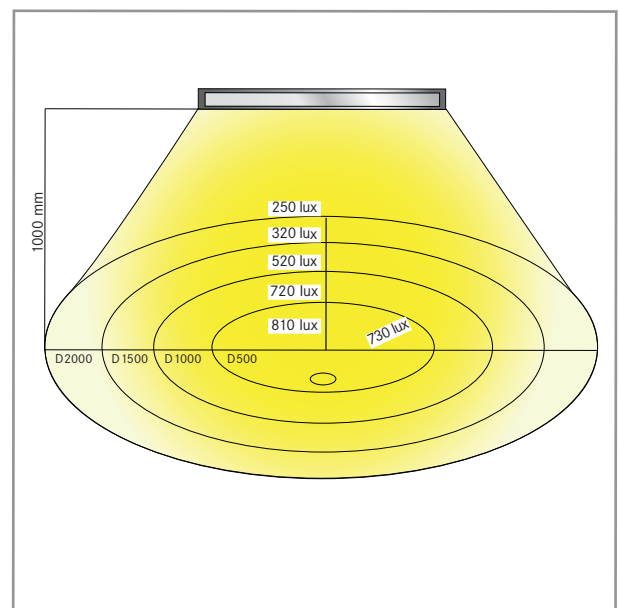
Technical details	Page 18
Lens	ca. 120°
Current	24V/420mA
Lighting systems	HE-SECRET MTL.12

HE-SECRET MTL.18



Technical details	Page 18
Lens	ca.120°
Current	24V/630mA
Lighting systems	HE-SECRET MTL.18

HE-SECRET MTL.24



Technical details	Page 18
Lens	ca.120°
Current	24V/840mA
Lighting systems	HE-SECRET MTL.24

LIGHTING SYSTEMS	3
WORKPLACE LIGHTING	4
SPOT FITTING LIGHTING	9
MACHINE LIGHTING	19
INTEGRATED LIGHTING	22

»SECRET FLOOD« LED LIGHTING

3

LIGHTING SYSTEMS

4

WORKPLACE LIGHTING

8

SPOT FITTING LIGHTING

20

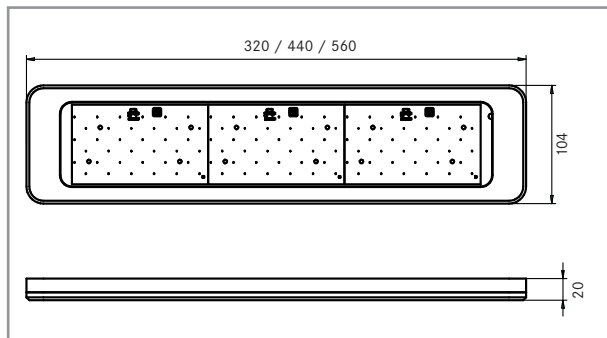
MACHINE LIGHTING

22

INTEGRATED LIGHTING



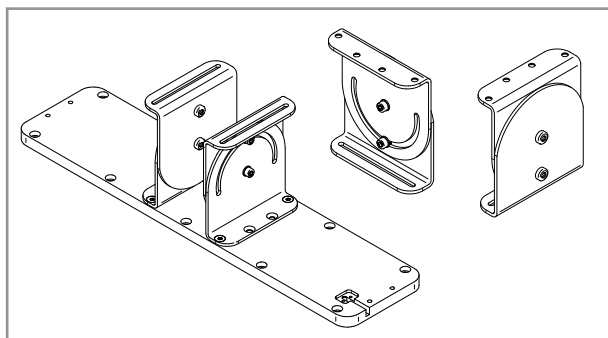
HEMA »SECRET FLOOD« LED lights



HEMA »SECRET FLOOD« dimensions



HEMA »SECRET FLOOD« mount



HEMA »SECRET FLOOD« mounting

The HEMA LED light »SECRET FLOOD« is an enhancement of the successful »SECRET MTL« model range. The 24 VDC LED lighting stands for a new generation with excellent light efficiency at a wide angle. The »SECRET FLOOD« LED lights with their compact measurements and robust design is not only the perfect illumination for all sizes of machine tools and industrial applications. Thanks to its small dimensions the »SECRET FLOOD« can easily be integrated within the machines

The »SECRET FLOOD« is mounted into an anodized aluminium housing, shock and vibration proof sealed in PUR backfill and resistant to most coolants and lubricants.

Thanks to the tempered safety glass the »SECRET FLOOD« withstands the impact of swarf; in any case the glass is exchangeable. The »SECRET FLOOD« is based on a modular concept, available as a built-in or external version, with optical micro prism or different safety glasses.

An LED has a max life of 50,000 hours, reducing maintenance work to a considerable degree. This long life and high lighting quality also help to reduce maintenance and energy consumption. With its excellent light efficiency at a wide angle the »SECRET FLOOD« fits seamless to the SECRET range of lights.

Advantages of »SECRET FLOOD«

- Power supply 24V
- Connection via M12 plug
- Mounting sidewise or backwise
- Extremely slim housing - only 20 mm
- shock and vibration proof sealed in PUR backfill
- Anodized aluminium housing
- IP Rating 69K
- different models

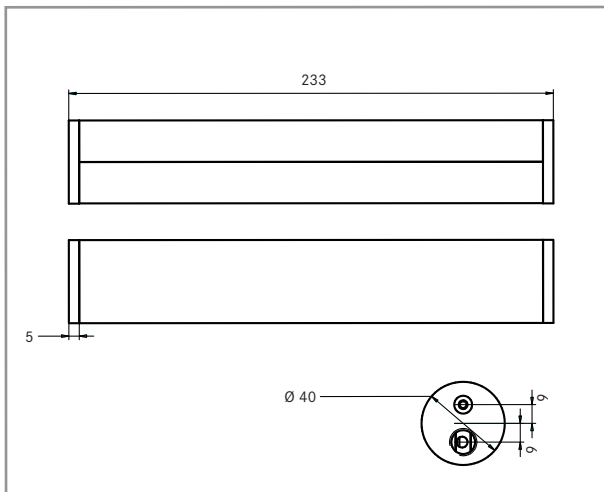


	SECRET FLOOD.27	FLOOD.42	FLOOD.68
Power supply	24 Vdc	24 Vdc	24 Vdc
Current	1,2 A	1,8 A	2,4 A
Operating voltage	30 W	45 W	60 W
Light temperature	6500 K	6500 K	6500 K
Lens	120°	120°	120°
Number LED	72	108	180

»SECRET TUBE« LED LIGHTING



HEMA »SECRET tube« LED lighting



The HEMA LED model range »SECRET tube« is a new member of the successful »SECRET« model range.

The innovative modular is also adapted for the »SECRET tube« LED lights. The 24 VDC LED with borosilicate glass is perfectly suitable for demanding and imperceptibly applications.

Due to its compact measurements and robust design the »SECRET tube« is easily suitable for Retrofit installation. Different mounting systems ease the installation of the »SECRET tube«. Thanks to the excellent light efficiency at a wide angle the »SECRET tube« provides both, a complete integrable machine and industrial light. An LED has a max life of 50,000 hours, reducing maintenance work to a considerable degree. This long life and high lighting quality also help to reduce maintenance and energy consumption.

Advantage »SECRET tube« LED Lighting

- Power supply 24V
- Connection via M12 plug
- shock and vibration proof sealed in PUR backfill
- different mounting systems
- IP rating IP 69K



Typ	SECRET tube5	SECRET tube10	SECRET tube15
Dimensions	Ø 40 x 233 mm	Ø 40 x 405 mm	Ø 40 x 563 mm
Power Supply	24 V	24 V	24 V
Operating Voltage	5 W	10 W	15 W
Current	210 mA	420 mA	630 mA
Number LED rails	1	2	3
Material	Alu anodized/Glass	Alu anodized/Glass	Alu anodized/Glass
Lens	ca. 120°	ca. 120°	ca. 120°
Light temperature	5700 K	5700 K	5700 K
IP Rating	IP69K	IP69 K	IP69 K
Connection	M12	M12	M12
Connection cable length	PUR 3000 mm	PUR 3000 mm	PUR 3000 mm